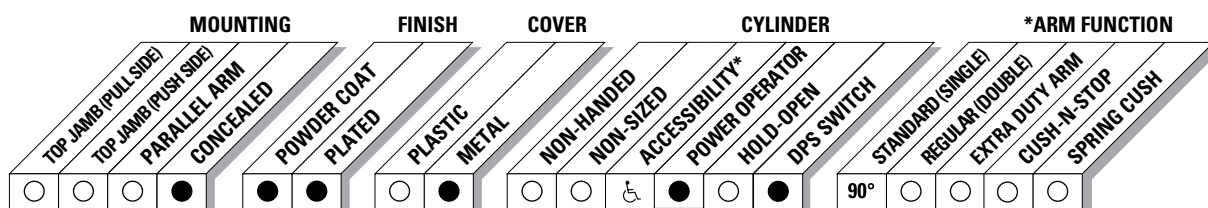


The 2610 AUTO EQUALIZER™ is LCN's pneumatically powered MULTI-DOOR solution. This low-energy power operator provides easy access for people with disabilities, or the elderly. Designed primarily for manual opening applications that occasionally require automatic opening.

|                          |                                                                                                                                                                                                       |                                         |                                                                                                                                                                                                                                                |
|--------------------------|-------------------------------------------------------------------------------------------------------------------------------------------------------------------------------------------------------|-----------------------------------------|------------------------------------------------------------------------------------------------------------------------------------------------------------------------------------------------------------------------------------------------|
| <b>Certifications</b>    | Grade 1 - ANSI A117.1, A156.19 UL228, ADA, 100 Hour Salt Spray, Meets BAA - Buy American Act                                                                                                          | <b>Fasteners</b>                        | Wood and machine screws                                                                                                                                                                                                                        |
| <b>Body Construction</b> | <ul style="list-style-type: none"> <li>■ Cast Iron Body</li> <li>■ Full Complement Bearing</li> <li>■ 1-1/2" Diameter Piston</li> <li>■ 11/16" Diameter Double Heat Treated Pinion Journal</li> </ul> | <b>Mounting</b>                         | Concealed, in frame                                                                                                                                                                                                                            |
| <b>Fluid</b>             | All Weather Fluid                                                                                                                                                                                     | <b>Arms</b>                             | Single lever arm, mounting/finish plate, standard track                                                                                                                                                                                        |
| <b>Handing</b>           | Handed                                                                                                                                                                                                | <b>Finishes/Colors/<br/>Powder Coat</b> | <ul style="list-style-type: none"> <li>■ Aluminum (689)</li> <li>■ Statuary Bronze (690)</li> <li>■ Light Bronze (691)</li> <li>■ Black (693)</li> <li>■ Dark Bronze (695)</li> <li>■ Brass (696)</li> <li>■ Custom colors optional</li> </ul> |
| <b>Size</b>              | Sized 3 and 4                                                                                                                                                                                         |                                         | <ul style="list-style-type: none"> <li>■ Optional SRI primer - powder coat only</li> <li>■ Optional plated finishes</li> </ul>                                                                                                                 |
| <b>Warranty</b>          | 2 years                                                                                                                                                                                               |                                         |                                                                                                                                                                                                                                                |

**Special  
Templates**

Customized installation templates or products may be available to solve unusual applications. Contact LCN Product Support for assistance.



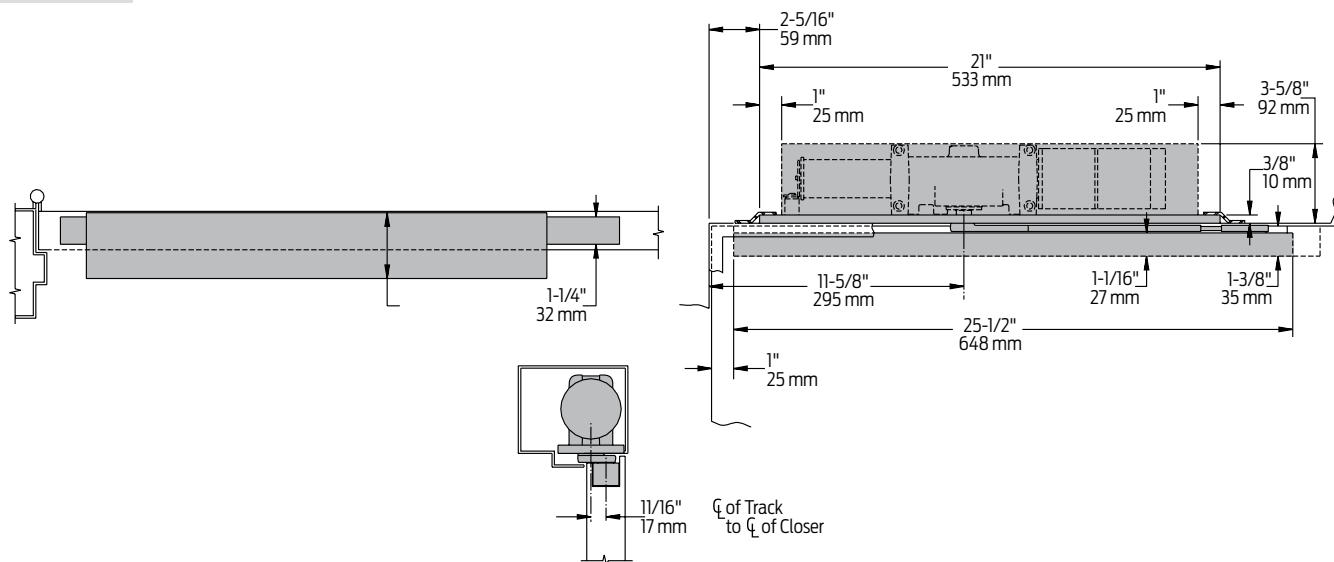
● AVAILABLE  
○ NOT AVAILABLE

♿ Meets ADA requirements (power mode).  
\* See individual series for maximum manual opening.

# 2610 Series Auto Equalizer

## Mounting details

### Concealed Mounting



|                        |                                                                                                                                                                                                                                                                                                                                                                                                                                                             |
|------------------------|-------------------------------------------------------------------------------------------------------------------------------------------------------------------------------------------------------------------------------------------------------------------------------------------------------------------------------------------------------------------------------------------------------------------------------------------------------------|
| <b>Butt Hinges</b>     | Should not exceed 5" (127 mm) in width                                                                                                                                                                                                                                                                                                                                                                                                                      |
| <b>Auxiliary Stop</b>  | Recommended                                                                                                                                                                                                                                                                                                                                                                                                                                                 |
| <b>Head Frame</b>      | Minimum 4" (102 mm) x 4" for hollow metal or aluminum tube construction                                                                                                                                                                                                                                                                                                                                                                                     |
| <b>Top Rail</b>        | <ul style="list-style-type: none"> <li>1-3/8" (35 mm) mortise required</li> <li>5/16" (8 mm) cutout required at top of the door, push side only</li> </ul>                                                                                                                                                                                                                                                                                                  |
| <b>System Diagram</b>  | See "AUTOMATIC OPERATORS" section pages 8-9 for typical system wiring, and pages 28-29 for electrical and pneumatic data for control boxes                                                                                                                                                                                                                                                                                                                  |
| <b>Maximum opening</b> | <ul style="list-style-type: none"> <li>Butt hinge template allows 90° power opening and 160° manual opening</li> <li>Please note that many track style door closers are capable of allowing 180° of door swing</li> <li>Track style closers are at their weakest closing force at 180°</li> <li>Consult factory for applications where exterior or large/heavy door must swing 180°</li> <li>Consult factory for all pivot mounted installations</li> </ul> |

#### Notes:

- For interior or exterior doors
- Single acting cylinder in head frame
- Concealed arm and track in door top rail
- Consult factory for all pivot mounted installations.
- Multi-door solution utilizing 10,000,000 cycle heavy duty door closer
- Requires control box with integral compressor or control box using auxiliary air supply. See CONTROL BOX pages 28-29 and actuators and accessories, pages 115-131
- Guard rails/safety mats not required

## Cylinders



**2610-3971**  
Cast Iron Cylinder Assembly

- Handed
- For various applications see "Table of Sizes" on 2610 Series page 14
- Standard



**2610-3971 DPS**  
Cast Iron Cylinder Assembly

- Handed
- With door position switch which sends signal when door is closed
- Standard



**2610-3071**  
Cast Iron Cylinder Assembly

- Handed
- Mounting plate
- For various applications see "Table of Sizes" on 2610 Series page 14
- Standard



**2610-3071 DPS**  
Cast Iron Cylinder Assembly

- Handed
- Mounting plate with door position switch which sends signal when door is closed
- Standard

## Arm



**2610-3077T**  
Standard Arm

- Handed
- Track roller not included with arm

## Track



**2610-3038**  
Standard Track

- Non-handed
- Will not accept hold open clip or bumper assembly
- Standard

## Installation Accessories



**2610-3034**  
Track Roller

- Quiet, low friction roller assembly
- Shoulder dimension "X" = 1/16" (2 mm)

### How-to-order 2610 Series

#### Select cylinder size

- 2613
- 2613 DPS
- 2614
- 2614 DPS

#### Select hand

- RH
- LH

#### Specify finish

- Standard Powder Coat \_\_\_\_\_  
Aluminum, Dark Bronze, Statuary, Light Bronze, Black, Brass

#### Closer will be shipped with:

- Standard arm
- Track roller
- Standard track
- Wood & machine screw pack  
unless options listed below are selected.

### Closer options

#### Finishes

- Custom Powder Coat (RAL)
- Plated Finish, US

#### Screw pack

- Wood & Machine Screw (WMS)

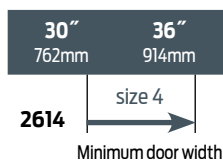
#### Special template

- ST- \_\_\_\_\_

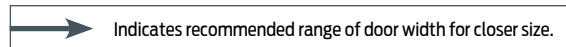
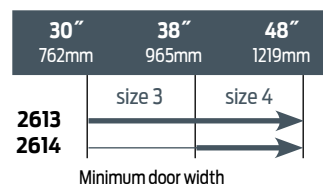
### Table of sizes

- Select closer based on width of door
- Sized 2610 Series cylinders available in size 3 or 4
- Closing power of all 2610 Series closers may be increased 15%

#### Exterior (and Vestibule) door width



#### Interior door width



NOTE: Minimum door width 30" (762 mm).